

# Decontami- nation shower for vehicles

12

## Decontamination shower gate of vehicles and equipment

Decontamination spray set arc who is easy to install by the Handy man.

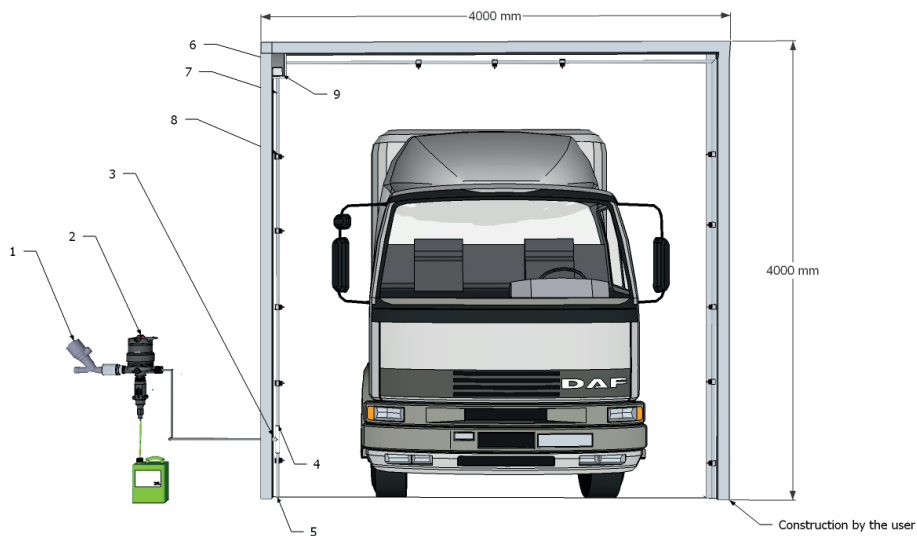
The arc kit is complete delivered with a solenoid valve, hydraulic dosing pump, sensor, pipe work (3 x 4 meter) threaded connection fitting, T- cutting ring fitting, 2 x 90° elbow cutting ring fittings, 2 x blind cap fittings, 13 x quick connect nozzles with clamps.

The system is easy to install and must be connected to 230V network and the low pressure waterline.

Standard construction of 4 to 4 meter is the most used construction but the arc can be adapted in the size the user decides. In height or length. Also the spray nozzles, can be placed where they be best fitted for the construction to get a 100% cover over the vehicle.



**Used during outbreaks of animal diseases.**



The Decontamination shower gate is mainly used by:

- Animal farms.
- Nurseries and plantations where cross-contamination is possible.
- Suppliers to animal farms.
- Food production factories.
- Applications when pandemic occurs.
- Military vehicles.
- Waste processing
- Chemical companies

***It goes without saying that  
the above companies  
always have this unit in stock  
to be able to intervene  
immediately if necessary.***

