



Click & clean central air switch.

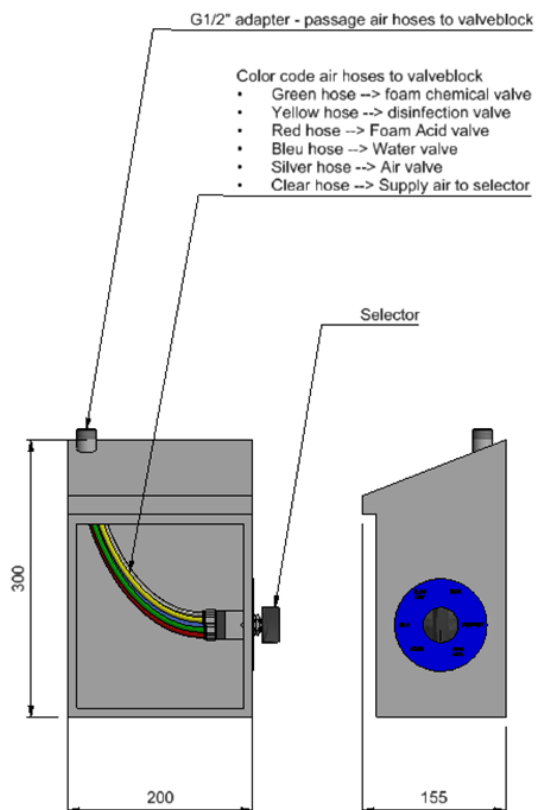
Ultra-hygienic and safe cleaning satellite.

The satellite is operated by a pneumatic selector with 6 positions.

This selector is built into a stainless steel lockable cabinet with sloping roof.

Satellite Functions:

1. Stop function
Complete stop.
2. Blow out function
Complete pressure release and clear the hose and gun from water and chemical by blowing them out with compressed air.
3. Rinse function.
Clear water rinse up to 200bar.
4. Foam cleaning
5. Disinfection. Spray or foam
6. Acid. Spray or foam.



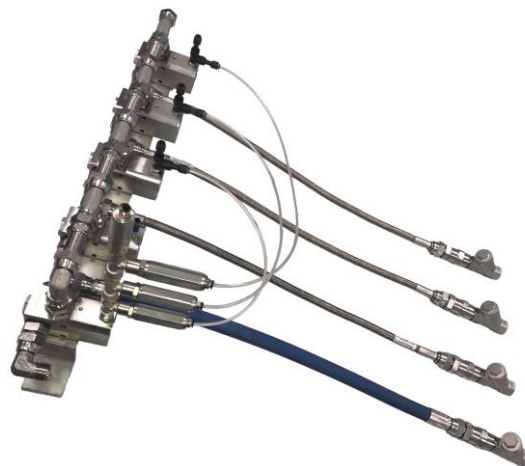


The pneumatic block

Must be installed in the technical room on the rooftop.
By tuning the selector the pneumatic valves open and close on the roof.

Pneumatically controlled stainless steel valves ensure the activation of the rinse water and the chemistry in the pipes. In order to prevent recoil and mixing of various products in the pipes, the pneumatic valves are equipped with stainless steel non-return valves.

The pneumatic valves and the actuators themselves are completely made of stainless steel. Chlorine gases have no influence on the commonly used aluminium actuators.



Minimal pipework against the walls.

The unit required 1 stainless steel pipe where the colour coded air hoses pass to the technical zone on the roof. The connection to the hose reel is also coming from the roof.

Water and chemistry savings.

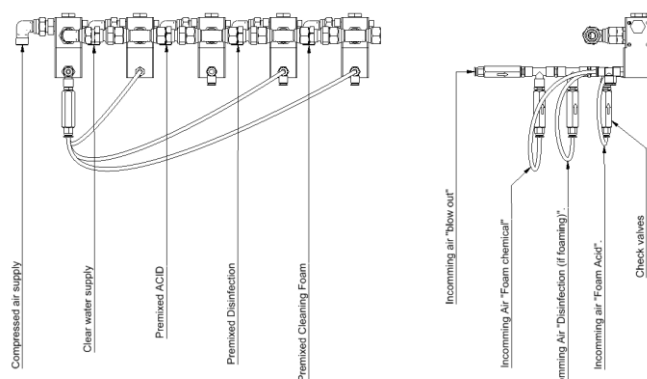
The supply hoses of the water and the chemicals can be supplied with flow restrictors. These restrictors prevent unnecessary water wastage and are also used to regulate the foam quality.

Unlimited distance between satellite and pneumatic valve block.

Since the selection takes place in the valve block, it can be used at a far distance from the satellite itself. This can be very useful for cleaning tanks or parts where cleaning is done with a fixed point when accessibility is difficult. However, the valve block must be installed with a maximum of 30 meters away from the spray or foam nozzle.

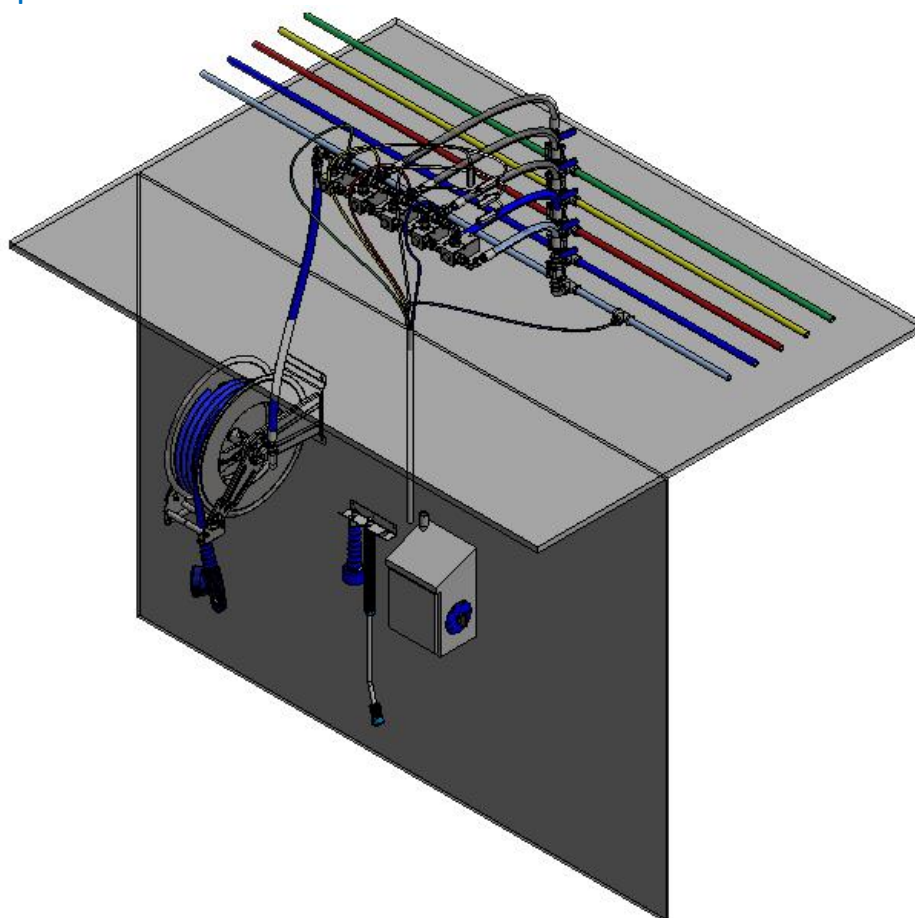
Flexibility

- For example, the valves in the valve block can be connected to different connection pipes where the foam valves serves a different nozzle than the rinse nozzle. This is very interesting when a fixed cleaning setup is provided.
The foam function can then be connected to specific foam nozzles and the rinse function is then connected to small rinse nozzles. This produces high-quality foam and should not be used with a flush function with oversized nozzles.
- A satellite can also operate different valve blocks.

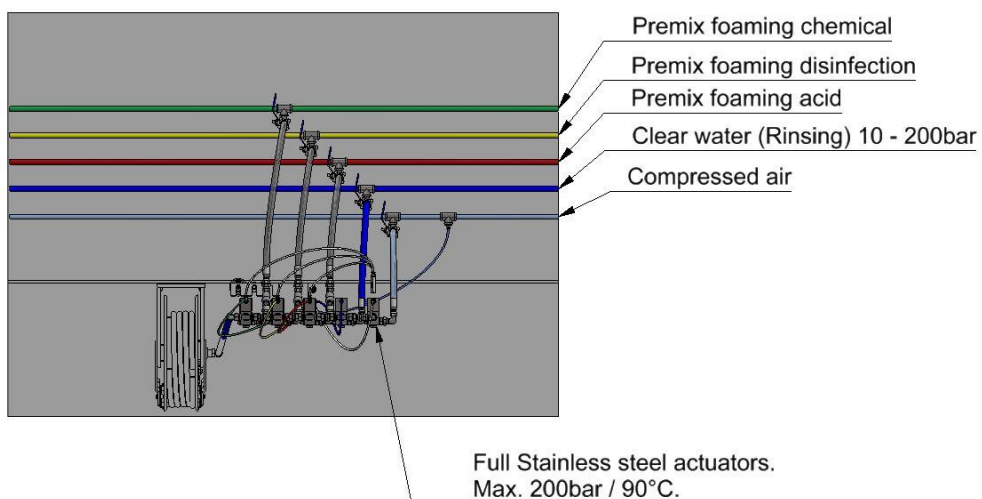




Mounting example:

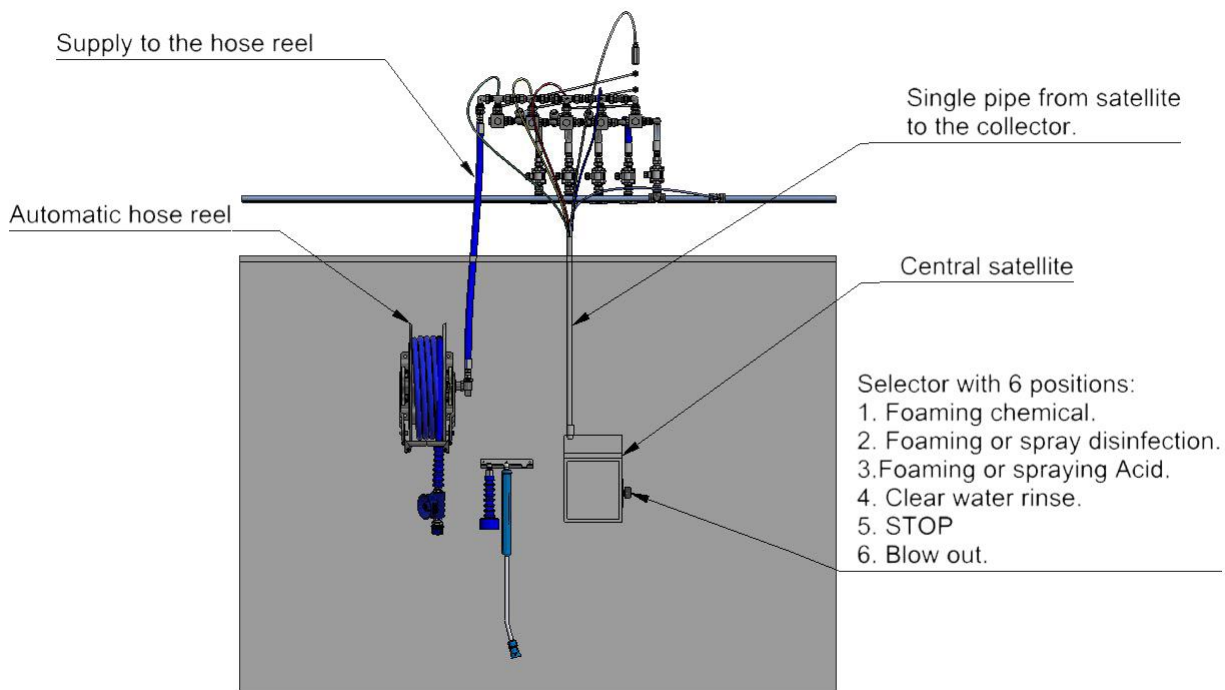


Mounting example pneumatic valve block on technical zone on rooftop.

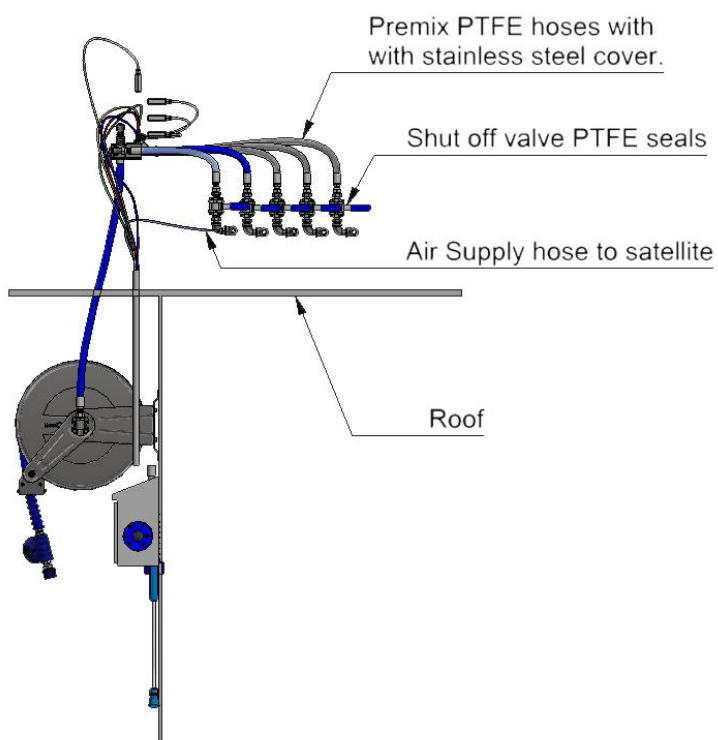




Mounting example front view:



Mounting example side view





Technical data Click & clean central air switch satellite.



The Dosanova air switch Valve allow the actuation of up to six individual circuits from a common input port.

The Air switch Valve directs flow through each output port as the knob is turned. The Shut-off Selector Valve requires the knob to be pushed-in and turned, blocking flow to the output ports until a position is selected.

A spring-loaded "wear compensating seat" retains a tight fit ensuring that the valve will not leak with wear.

Pre-installed:

The satellite is supplied with short air hoses with colour codes as an example of installation.

The stop function adapter is already provided and should not be removed.

Air supply to satellite:	Minimal 3 bar, Maximal 8 bar
Flow rate:	Minimal 120 Lpm.
Positions:	6
Functions:	Complete stop function Blow out function Clear water rinse function Foam chemical Foam or spray disinfection Foam or spray Acid
Dimensions:	300H x 200W x 155D mm.
Materials cabinet:	Stainless steel.
Air hose connection to satellite:	1 x Ø4mm.
Air hose connections to valve block:	5 x Ø4mm + 1 stop push in adapter.
Maximal distance to valve block:	Unlimited.
Connection adapter for air hose passage:	G ½" M BSPT adapter.



Part list Click & clean central air switch satellite.

Item	Qty	Part number	Description
1	1	AFS03021	Cabinet with sloop roof
2	1	100.208P20	Pneumatic air switch 6 positions
4	7	33000405N	Push in Ø4 - M5
6	1	100.208P40	Position label

		Material:	Dimensions:
Doc no.: Partlist Click & clean airswitch satellite.dwg			
First angle projection:		Part number:	
		Assembly Click&clean airswitch satellite	
Drawn by: J. Willeert	Creation date:	Short Description:	Revision: -
Mass:		Description:	Format: A3
Scale: 1 : 3	Units: mm		
Status: -			

Dosanova BVBA - info@dosanova.com - www.dosanova.com



Technical data 5fold pneumatic block.

Functions:	Open / Close.	
Dimensions of valves:	50x45x100mm	
Water inlet:	G ½" F – optionally restricted water passage. 500mm hose with stainless steel adapters and check valve.	
Air inlet:	G ½" M BSP 60°	
Foam chemical inlet:	G ½" F restricted passage. 500mm PTFE chemical resistant hose with stainless steel adapters and check valve and passage restrictor.	
Disinfection inlet:	G ½" F restricted passage. 500mm PTFE chemical resistant hose with stainless steel adapters and check valve and passage restrictor.	
Acid chemical inlet:	G ½" F restricted passage. 500mm PTFE chemical resistant hose with stainless steel adapters and check valve and passage restrictor.	
Max. Pressure water:	200bar.	
Recommended premixed chemical pressure:	6 – 10bar.	
Max. Temperature:	90°C.	
Valve material:	Peek	
Body material (actuator included):	Stainless steel.	
Seals in actuator:	NBR	
Air hose connections:	Ø 4mm.	
Recommended colour coding connection hoses from satellite to valve block:	Transparent Ø 4 mm hose:	Supply air pressure from main air pipe to the satellite.
	Blue Ø 4 mm hose:	From satellite to pneumatic valve water supply.
	Green Ø 4 mm hose:	From satellite to pneumatic valve premixed foam supply.
	Yellow Ø 4 mm hose:	From satellite to pneumatic valve premixed disinfection supply.
	Red Ø 4 mm hose:	From satellite to pneumatic valve premixed acid supply.
	Silver Ø 4 mm hose:	From satellite to pneumatic valve air supply.
Recommended premixing chemical dosing system	Rhino CCU Hydraulic Reference: CCU3H20	



Part list Click & clean Air switch fivefold pneumatic block.

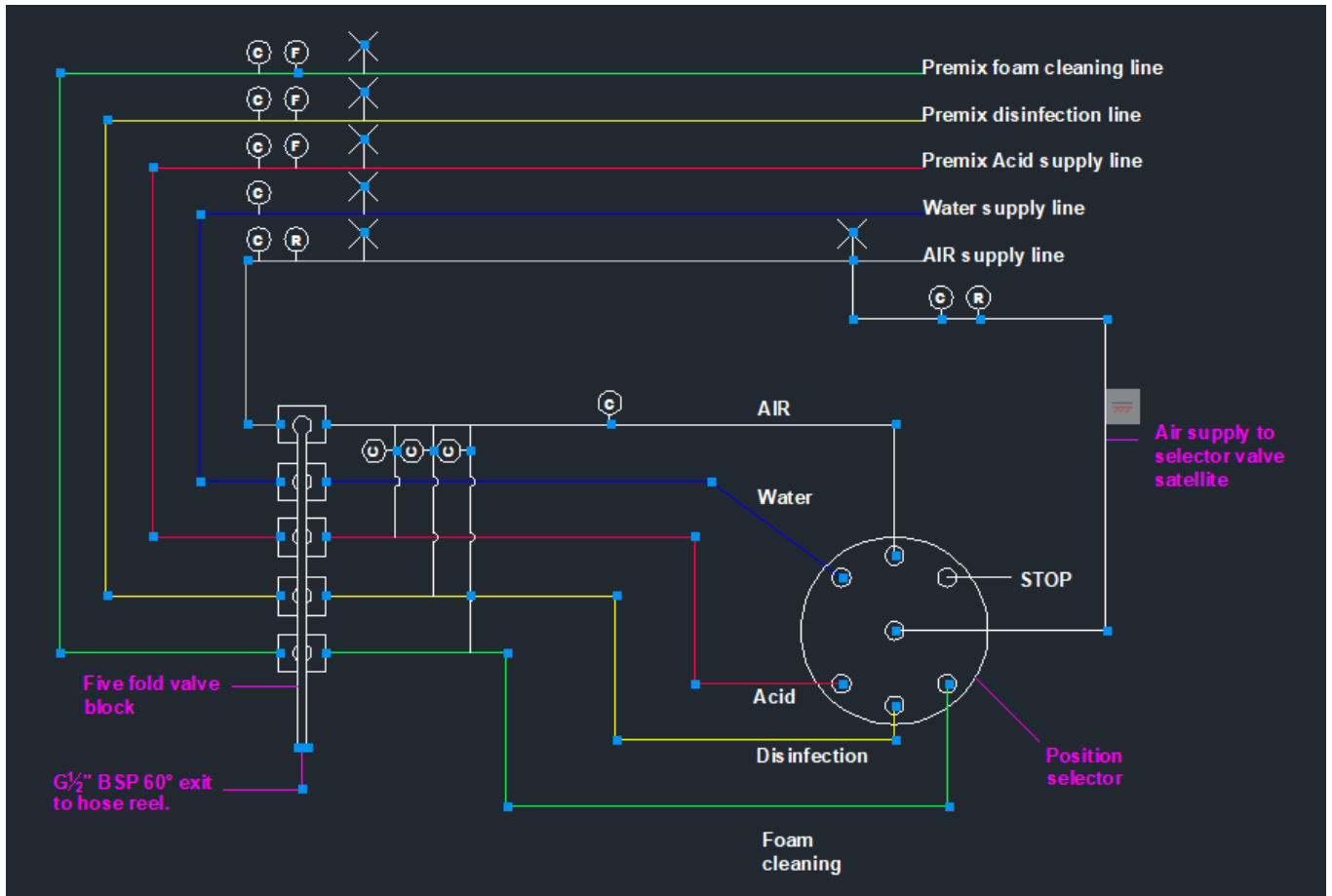
Item	Qty	Part number	Description
1	5	100010200	SS Pneumatic actuator G3/8 - 200bar
2	4	666G12	SS T adapter G1/2FFF
3	4	101.921	SS Bulk head G1/2 - Long version
4	1	666G12FF	Elbow G 1/2FF
5	7	605G14	Nipple G1/4
6	3	666G14	T adapter G1/4FFF
7	4	200294500	Stainless steel check valve
8	5	33010413N	Push in adapter Ø4 - G1/4" M
9	3	33070410N	Push in T-adapter Ø4-Ø4-G1/8" M
10	1	30300x0.5	Water supply Hose 1/2" FF
11	3	100.200P6	PTFE chemical hose 1/2" FF
12	4	YCVG12 - BI	Chemical Y - check valve G1/2" FF
13	4	710000000500	Flow reducer
14	5	638G12G38	Reduction Nipple G1/2" - G388SP80°
15	1	Pueso425TR-25B	PU Hose Ø4

Material:		Dimensions:	
Doc no.: standard.dwg		Part number:	
First angle projection:		Assembly 5voudige pneumatische collector lucht verbond	
Drawn by: J. Willaert	Creation date:	Short description:	Revision: -
Mass:		Description:	Format: A3
Scale: 1 : 5	Units: mm		
Status: -			

Dosanova BVBA - info@dosanova.com - www.dosanova.com




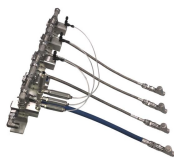
Connection schedule








Legend:

- X = Schut off valve
- C = Check valve
- R = Air pressure regulator
- F = Flow regulator






<p>Ref. 100.208 Click & clean central air switch satellite 6 positions.</p>	
<p>Ref. 100.208P30 Fivefold valve block with collector and support. Included: 5 stainless steel pneumatic valves, stainless steel collector with G1/2" F BSP 60° outlet, water connection hose with check valve, 3 chemical connection hoses with flow reductions and check valves. Push in adapters, 4 x inline air check valves and distribution hoses to chemical valves for foam application.</p>	

Most common accessories:

<p>Stainless steel automatic spring loaded hose reels with optional wall swivel. Let the hose reel turn 180° on the wall. Standard version 200bar / 90°C. Optional in 400 or 600 bar version.</p> <p>Available lengths for Click & clean satellite FFR</p> <table border="1" data-bbox="151 1012 1024 1182"> <thead> <tr> <th colspan="2">Available lengths hose reels for satellites</th> <th>Wall swivel</th> </tr> </thead> <tbody> <tr> <td>Ref. 260.AV 1000</td> <td>15 meter ½" hose.</td> <td>Ref. 260.ST15</td> </tr> <tr> <td>Ref. 260.AV 1100</td> <td>20 meter ½" hose.</td> <td>Ref. 260.ST20</td> </tr> <tr> <td>Ref. 260.AV 3400</td> <td>25 meter ½" hose.</td> <td>Ref. 260.ST34</td> </tr> <tr> <td>Ref. 260.AV 3500</td> <td>35 meter ½" hose.</td> <td>Ref. 260.ST30</td> </tr> </tbody> </table> <p>Hoses are not included.</p>	Available lengths hose reels for satellites		Wall swivel	Ref. 260.AV 1000	15 meter ½" hose.	Ref. 260.ST15	Ref. 260.AV 1100	20 meter ½" hose.	Ref. 260.ST20	Ref. 260.AV 3400	25 meter ½" hose.	Ref. 260.ST34	Ref. 260.AV 3500	35 meter ½" hose.	Ref. 260.ST30	 	
Available lengths hose reels for satellites		Wall swivel															
Ref. 260.AV 1000	15 meter ½" hose.	Ref. 260.ST15															
Ref. 260.AV 1100	20 meter ½" hose.	Ref. 260.ST20															
Ref. 260.AV 3400	25 meter ½" hose.	Ref. 260.ST34															
Ref. 260.AV 3500	35 meter ½" hose.	Ref. 260.ST30															
<p>Ref. 260.KIT BK Slow retraction kit for automatic spring driven hose reels. Prevents the hose from quickly rewinding on the hose reel. Safety for user product and environment. Video: https://www.youtube.com/watch?v=FGGcD6xZ10s</p>																	
<p>Foodjet Rubber wash down hose 5 Layer hose with textile reinforcement. Max. 80Bar / 150°C. Hoses are standard equipped with stainless steel ½" MF adapters and ferrules.</p> <table border="1" data-bbox="151 1550 1024 1720"> <tbody> <tr> <td>Ref.30360X1,5</td> <td>1,5 meter(connection satellite and hose reel)</td> </tr> <tr> <td>Ref. 30360X15</td> <td>15 meter length.</td> </tr> <tr> <td>Ref. 30360X20</td> <td>20 meter length.</td> </tr> <tr> <td>Ref. 30360X25</td> <td>25 meter length.</td> </tr> <tr> <td>Ref. 30360X30</td> <td>30 meter length.</td> </tr> </tbody> </table>	Ref.30360X1,5	1,5 meter(connection satellite and hose reel)	Ref. 30360X15	15 meter length.	Ref. 30360X20	20 meter length.	Ref. 30360X25	25 meter length.	Ref. 30360X30	30 meter length.							
Ref.30360X1,5	1,5 meter(connection satellite and hose reel)																
Ref. 30360X15	15 meter length.																
Ref. 30360X20	20 meter length.																
Ref. 30360X25	25 meter length.																
Ref. 30360X30	30 meter length.																
<p>Ref. 140.113 Isolated stainless steel ball valve with integrated "3in1" triple click nozzle. This system prevents nozzles from being lost if they have to be changed when rinsing, foaming or disinfecting. Here no use is made of quick couplings where O rings have to be replaced frequently. With this system nozzles are fixed on the valve and cannot be removed. Insulated against heat and shock resistant.</p>																	



<p>Ref.140.114 Isolated stainless steel ball valve with ST3100 quick coupling. Max. 60bar/90°C. For users who want to work with triple click nozzle (XL version) and need to switch to long rinse lance in some cases.</p>	
<p>Ref. 140.145XL Stainless steel triple click nozzle (3in1) equipped with short lance and ST3100 quick adapter.</p>	
<p>Ref. 40.2300.60 Stainless steel lance 1000mm with isolation and nozzle protector with ST3100 quick adapter. Nozzle not included.</p>	
<p>140.153 Stainless steel lance holder Foam lance Disinfection lance Rinse lance</p>	